




CURVIA 2 - 3 - 4 SEAL SURFACE


INSTALLATION INSTRUCTIONS


 This product must be installed in accordance with the National Electrical Code and all applicable local codes, by a person familiar with the construction and operation of the product, and the hazards involved. Proper grounding is required for safety.

Ce produit doit être installé suivant le code national de l'électricité, ainsi que tous les codes locaux applicables, par une personne familière avec la construction et le fonctionnement du produit, ainsi que tous les risques qui y sont associés. La mise à terre électrique est obligatoire pour la sécurité.


 Disconnect power before installation or servicing.

 Wire dimming conductors as Class 1.

 A luminaire with more than one power supply connection means shall be connected to only one branch circuit.

 For electrical connections, please refer to the [wiring diagram guide](#).



 For wet location installations, properly seal all mounting and electrical points.

SINGLE FIXTURE

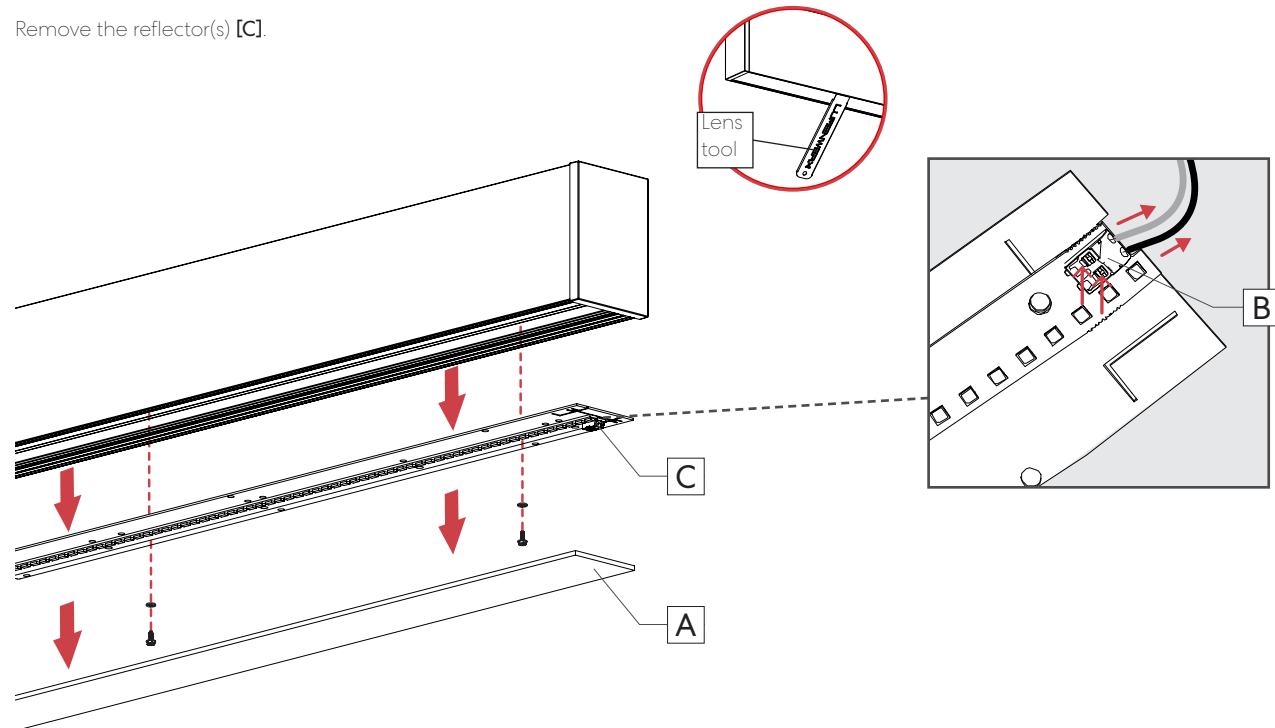
1 REMOVE LENS(ES) AND REFLECTOR(S).

Caution: Make sure the electrical power is turned off.

Remove lens(es) **[A]** with the provided lens tool.

Disconnect LED moxex connector **[B]** by taking a pointed object and pressing on the two tabs on top.

Remove the reflector(s) **[C]**.



CURVIA 2 - 3 - 4 SEAL SURFACE

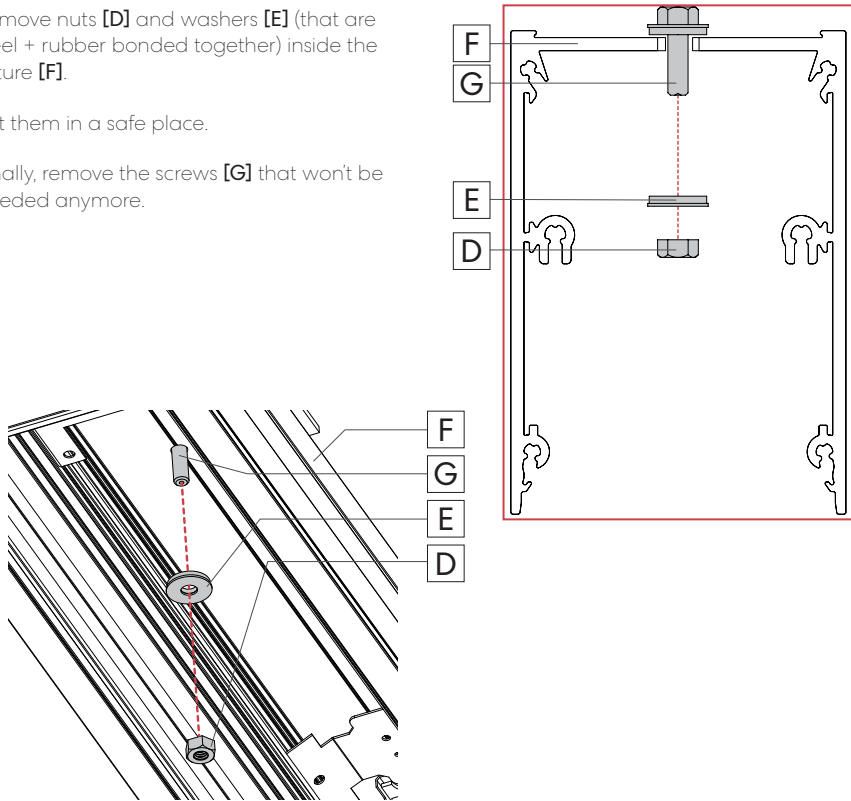
SINGLE FIXTURE

2 REMOVE TEMPORARY SCREWS.

Remove nuts [D] and washers [E] (that are steel + rubber bonded together) inside the fixture [F].

Put them in a safe place.

Finally, remove the screws [G] that won't be needed anymore.



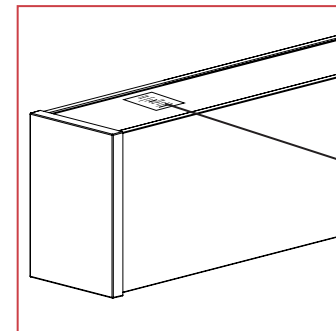
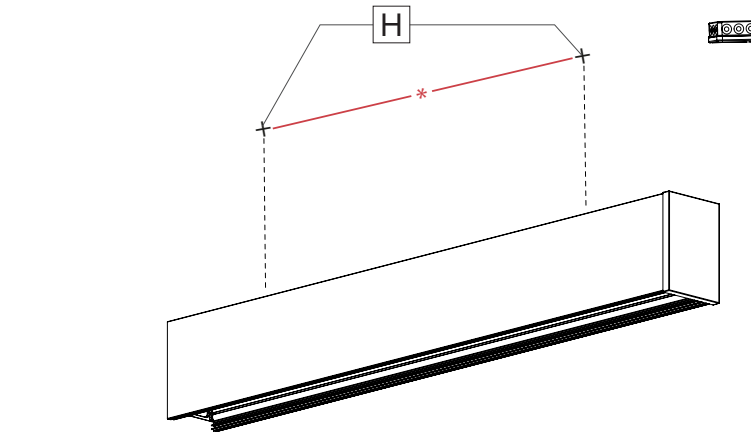
3 MARK MOUNTING POINTS.

Locate mounting points [H] in the ceiling. Refer to the dimensions [*] supplied in the client drawings.

Note 1: For TOP FEED fixture, the main power cable should come out from the ceiling.

Note 2: For END FEED fixture, locate the J-box in an appropriate location.

Note 3: Make sure the label is oriented upwards and the direct lens is facing down.



CAUTION
MOUNTING ORIENTATION
THIS SIDE UP

ATTENTION
INSTALLATION
CE CÔTÉ VERS LE HAUT

CURVIA 2 - 3 - 4 SEAL SURFACE

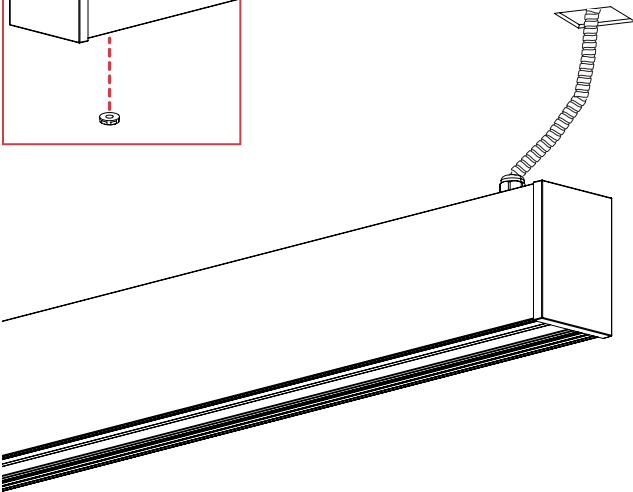
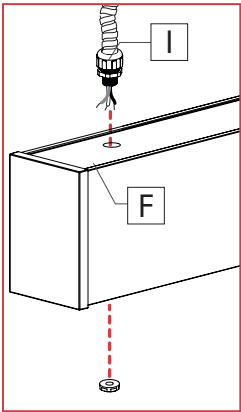


SINGLE FIXTURE

4 INSTALL THE FIXTURE TO THE CEILING. TOP FEED

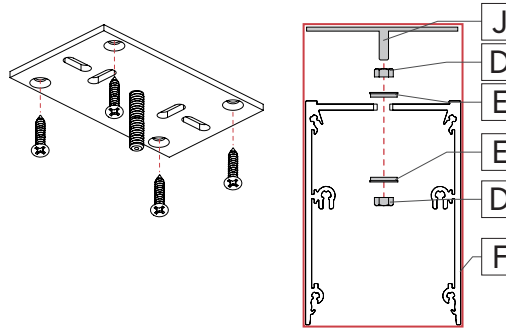
If it is a TOP FEED fixture, before installing the fixture [F] connect the 1/2" trade size liquid-tight conduit fitting [I] (by others) to the 7/8" hole provided. Make sure the fitting is well tightened. A non-metallic liquid-tight flexible conduit system needs to be used (by others).

Warning: A luminaire with more than one power supply connection means shall be connected to only one branch circuit.



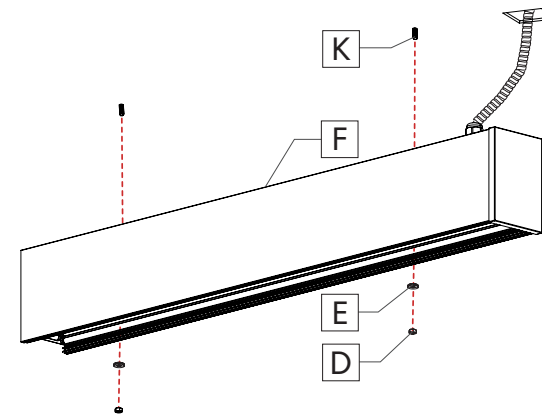
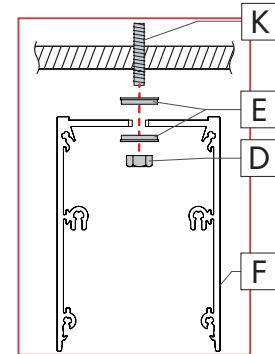
MOUNTING BRACKET

To install the fixture with the mounting bracket [J], secure the bracket to the ceiling with screws. Install the fixture to the bracket using the provided washers (that are steel + rubber bonded together) [E] and nuts [D]. Make sure the 1/4"-20 nuts are well tightened.



THREADED STUD

To install the fixture with the threaded stud, [K] fasten the fixture [F] to the threaded stud [K] using washers (that are steel + rubber bonded together) [E] and nuts [D]. Make sure the 1/4"-20 nuts are well tightened.



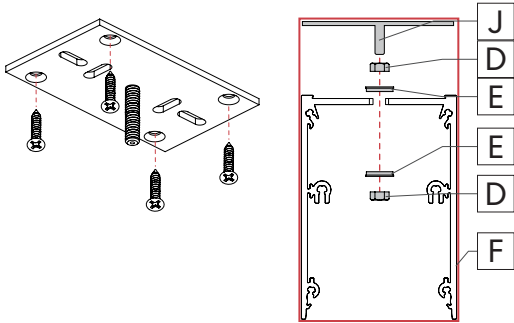
CURVIA 2 - 3 - 4 SEAL SURFACE

SINGLE FIXTURE

4 INSTALL THE FIXTURE TO THE CEILING.

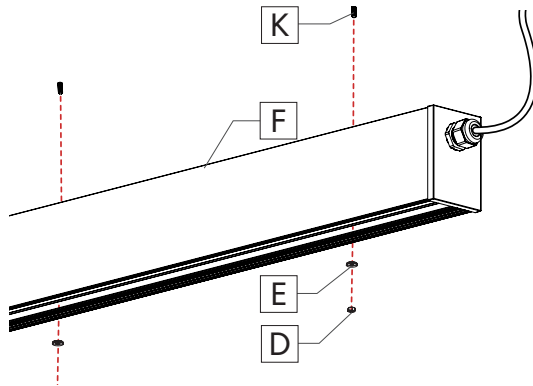
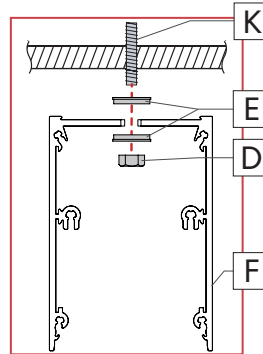
MOUNTING BRACKET

To install the fixture with the mounting bracket [J], secure the bracket to the ceiling with screws. Install the fixture to the bracket using the provided washers (that are steel + rubber bonded together) [E] and nuts [D]. Make sure the 1/4"-20 nuts are well tightened.



THREADED STUD

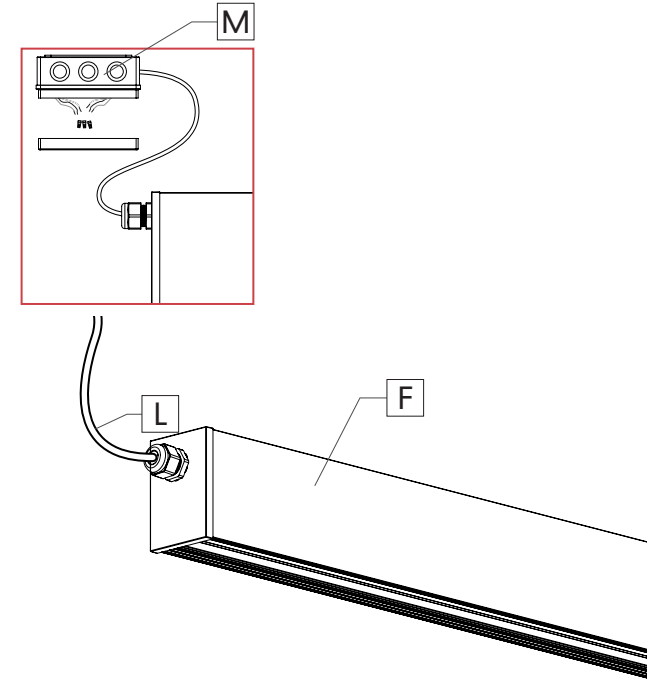
To install the fixture with the threaded stud, [K] fasten the fixture [F] to the threaded stud [K] using washers (that are steel + rubber bonded together) [E] and nuts [D]. Make sure the 1/4"-20 nuts are well tightened.



END FEED

After installing the fixture [F] make electrical connections between the main power and the 2FT long white power-cord [L] of the fixture inside wet location junction box [M]. Screw back junction box cover.

Warning: A luminaire with more than one power supply connection means shall be connected to only one branch circuit.



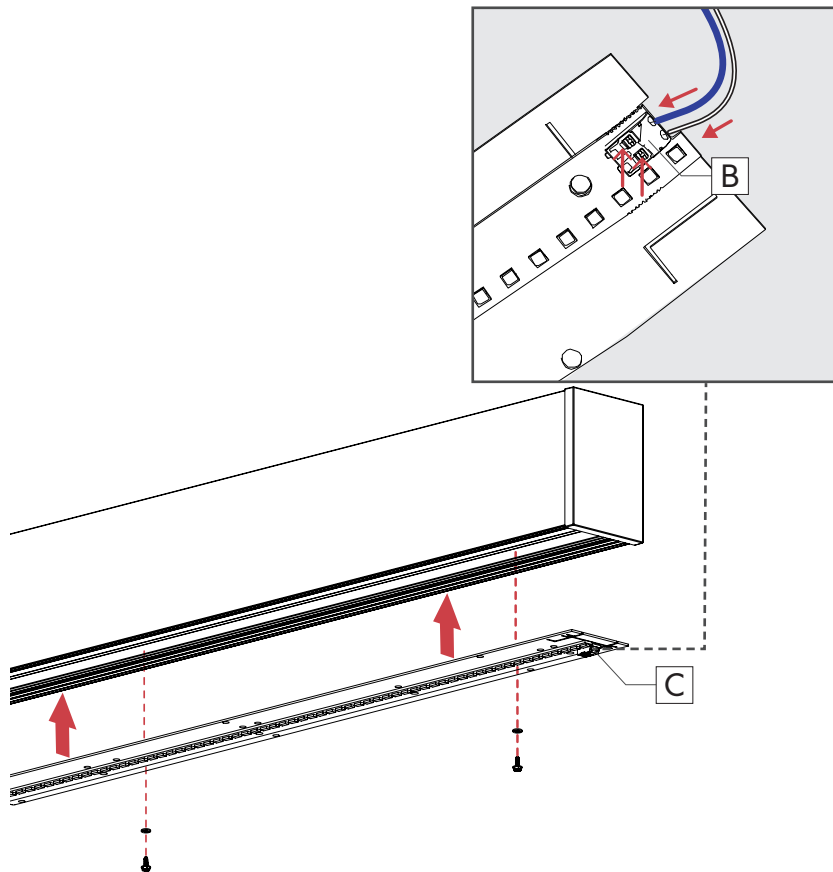
CURVIA 2 - 3 - 4 SEAL SURFACE

SINGLE FIXTURE

5 REINSTALL REFLECTOR(S) AND LENS(ES).

Reinstall the reflectors [C] and reconnect the LED molex connector [B].

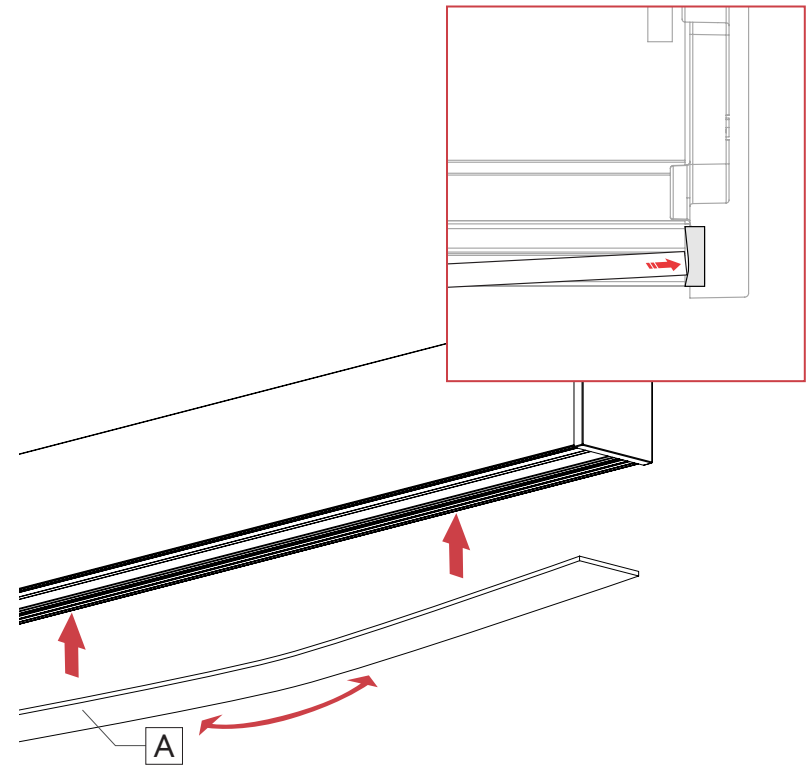
Note: Connect blue wire into the [-] negative terminal and the Red wire into the [+] positive terminal.



To install the lens(es) [A] back in place, bend it slightly.

When installing the lens(es) [A] it should compress the end cap's gasket to seal the fixture.

Install one side at a time.



CURVIA 2 - 3 - 4 SEAL SURFACE

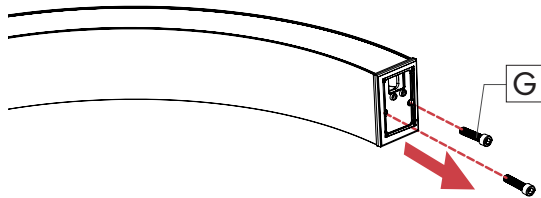
CONTINUOUS RUN

1 FOR CONTINUOUS RUN, REPEAT STEPS **1 - 4** FROM THE SINGLE FIXTURE SECTION FOR THE FIRST FIXTURE IN THE RUN.

2 REPEAT STEPS **1 - 3** FROM THE SINGLE FIXTURE SECTION FOR THE SECOND FIXTURE IN THE RUN.

3 JOIN FIXTURES. IP65

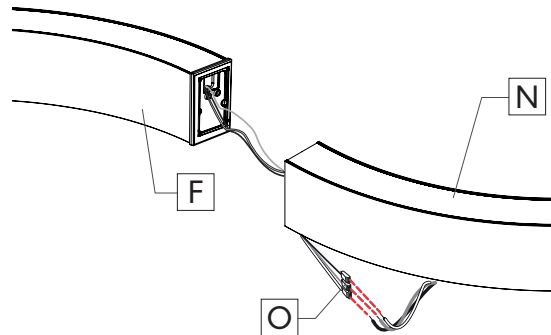
From all fixtures in the run, unscrew and remove screws **[G]**. Keep them in a safe place.



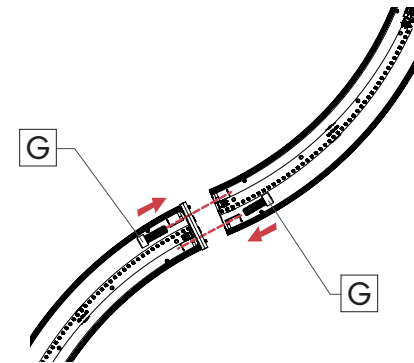
Push wires of the first fixture **[F]** inside the second fixture of the pattern **[N]**.

Make the wire connections between the first fixture **[F]** and the second fixture **[N]** using the quick connectors **[O]**.

Note: Number of wires may vary.



Join fixtures. Put the provided screws **[G]** back in place using the provided 3/16" ball-end screwdriver. Make sure that no wires are placed in between the extrusions, preventing the fixtures to be joined. Tighten the screws **[G]** to pull the segments together.

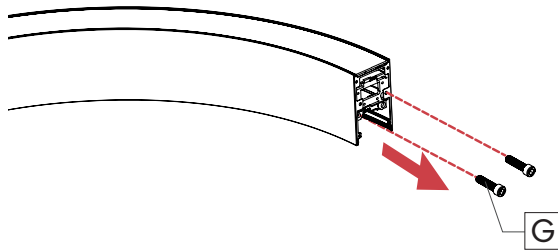


CURVIA 2 - 3 - 4 SEAL SURFACE

CONTINUOUS RUN

3 JOIN FIXTURES.

From all fixtures in the run, unscrew and remove screws [G]. Keep them in a safe place.

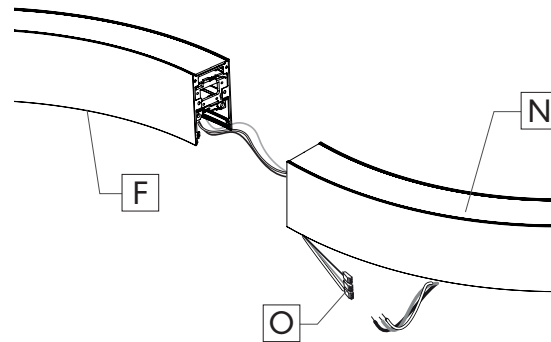


IP54

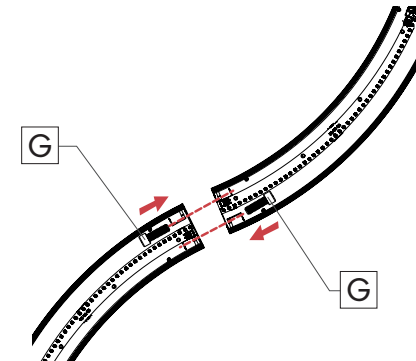
Push wires of the first fixture [F] inside the second fixture of the pattern [N].

Make the wire connections between the first fixture [F] and the second fixture [N] using the quick connectors [O].

Note: Number of wires may vary.



Join fixtures. Put the provided screws [G] back in place using the provided 3/16" ball-end screwdriver. Make sure that no wires are placed in between the extrusions, preventing the fixtures to be joined. Tighten the screws [G] to pull the segments together.



4 REPEAT STEP 4 FROM THE SINGLE FIXTURE SECTION.

5 REPEAT STEPS 2 TO 4 FROM THE CONTINUOUS RUN SECTION FOR ALL FIXTURES IN THE RUN.

6 REPEAT STEP 5 FROM THE SINGLE FIXTURE SECTION FOR ALL FIXTURES IN THE RUN.